

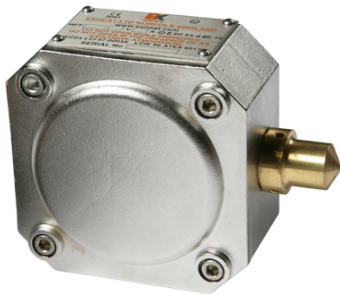
ATEX Certified Flameproof Thermostats

All EXHEAT flameproof thermostats are ATEX certified Ex 'd' IIC T6, suitable for installation in Zone 1 or 2 Hazardous Areas. The 'AFT' has external adjustment enabling quick & accurate variable control for liquid, gas & air applications. The 'RFT' is suitable for use in process tanks and vessels containing liquids or gases. The 'HFT' is designed for the temperature control of work or storage areas, in conjunction with a Hazardous Area air heater.



AFT air/process sensing thermostat

- ATEX certified Ex II 2 G/D Ex'd' IIC T6 Ex tD A21 IP6X T85 °C for zone 1 or 2 (Gas) and zone 21 or 22 (Dust)
- Externally adjustable/option.
- Wall mounted / threaded boss or industry standard flange.
- Suitable for ambient temperatures -60 °C to +60 °C.



HFT air sensing thermostat

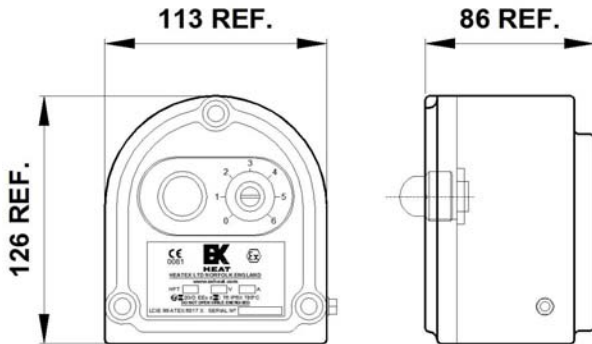
- ATEX certified Ex II 2 G Ex'd' IIC T6 T85 °C for zone 1 or 2 (Gas).
- Wall Mounted.
- Stainless Steel enclosure certified weatherproof to IP67.
- Suitable for ambient temperatures -60 °C to +60 °C.



RFT process sensing thermostat

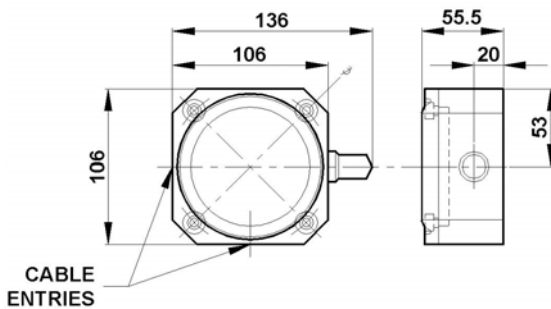
- ATEX certified Ex II 2 G/D Ex'd' IIC T1-T6 Ex tD A21 IP6X T450 °C – T85 °C for zone 1 or 2 (Gas)
- Mounting can be by a threaded boss or an industry standard flange.
- Lightweight cast aluminum enclosure certified weatherproof to IP67.

Model 'AFT'



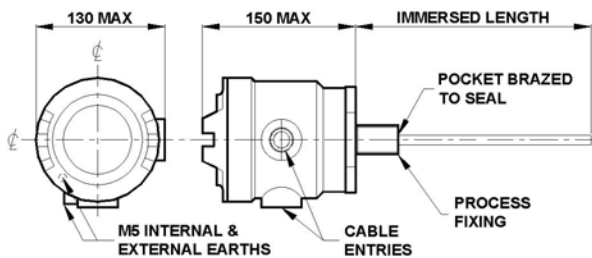
- Certification** ATEX certified Ex II 2 G/D Ex'd' IIC T6 Ex tD A21 IP6X T85°C. EN60079-0, EN600079-1, EN61241-0 + EN61241-1. for zone 1 or 2 (Gas) and zone 21 or 22 (Dust)
- Enclosure** Cast Aluminium alloy with a maximum of two cable entries and external and internal earths.
- Controls** Choice of control range to suit process application.
- Mounting** Any threaded boss or flange in any material can be specified within the limits of the design parameters.
- Voltage** 16 Amp 250v in a choice of switching configurations.

Model 'HFT'



- Certification** ATEX certified Ex II 2 G Ex'd' IIC T6 T85°C EN60079-0 + EN60079-1
- Enclosure** Cast Stainless Steel with two x M20 cable entries, external and internal earths and internal neutral link
- Controls** Choice of control range: 0°C to 40°C or 0°C to 60°C
- Mounting** 2 x 6mm dia shrouded mounting holes are provided.
- Voltage** SPDT, 16 Amp 250v in a choice of switching configuration

Model 'RFT'



- Certification** ATEX certified Ex II 2 G/D Ex'd' IIC T1 to T6 Ex tD A21 IP6X T450°C to T85°C EN60079-0, EN600079-1, EN61241-0 + EN61241-1 for zone 1 or 2 (Gas)
- Enclosure** Cast Aluminium alloy with a maximum of two cable entries and external and internal earths.
- Controls** Choice of control range to suit process application.
- Mounting** Any threaded boss or flange in any material can be specified within the limits of the design parameters.
- Voltage** 16 Amp 250v maximum in a choice of switching configurations.