



Ex II 2 G EEx em [ib] IIC T6

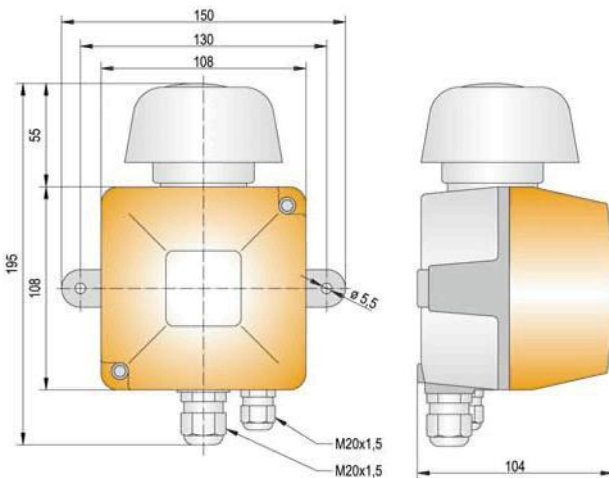
Features

for distinct signalling of incoming telephone calls in loud ambient conditions

3 tone types and up to 4 tone frequencies selectable via DIP switch

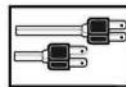
230 V power supply

strobe beacon with call break bridging, 5 lens colours



DIP Switch	Mode
	Telephone Call Secondary Sounder
	signalling detector

Tone setting			
Tone Type	DIP Switch	Tone Sequence/Sequence Frequency	
Single tone		continuous tone	
		120 ms on	50 ms off
Two tone		16,6 Hz	
		50 Hz	
Three tone		16,6 Hz	
		50 Hz	
		120 ms on	50 ms off
		60 ms on	25 ms off



Technical data

Type	VS1
Housing, Colour	aluminium die cast, black
Lens, Colour	polycarbonate, orange, rot, klar, blau, grün
Mounting	wall or ceiling
Weight	1,5 kg
Audible Signalling	loudspeaker
Tone types	one-/two- or three tone selectable with DIP switch
Visual signalling	2 xenon tubes with ~ 1 J 230 V AC -15 % +10 %, 50 Hz
Strobe frequencies	1 - 2 Hz
Terminal	1,5 mm ² single or fine wire
Cable entry	2 x M20x1,5
Cable diameter	6 - 12 mm (230 V mains) 5 - 10 mm (telephone circuit)
Telephone connection	30 V AC - 75 V AC, 23 - 54 Hz 0 V DC - 63 V DC

Colour code for lens

1	amber	5	blue
2	red	6	green
4	clear		

