

# Distribution boxes

## Overall presentation

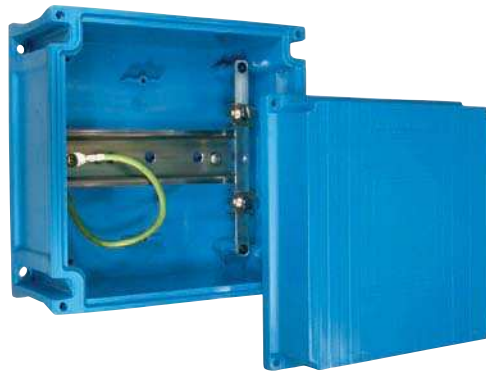
### BM : the benefits of modularity

The BM family of enclosures accepts PN plugs and sockets, DS and DSN decontactors.

It offers differently sized boxes which can all be fitted with terminal blocks, domestic socket-outlets, inspection windows (for easy access to fuses and circuit breakers) etc. A coupling kit can join 2 boxes with each other.



**Wall boxe**



$H = 170, W = 170, D = 118$  (80 without lid)



### Box with inspection window

$H = 170, W = 170, D = 118$  (for assembling 1 to 6 modules)  
Equipment available: see page 127



**Manchons de liaison  
entre boîtiers**

### Features of the BM range

- Designed for the **PN, DS** and **DSN** ranges
- Impact-resistant thermoplastic material (IKo8)
- Captive stainless fixing screws
- IP66/67 watertight
- Designed for currents from 16 to 63 Amps
- Wiring : from  $2 \times 1,5 \text{ mm}^2$  to  $5 \times 35 \text{ mm}^2$
- Assembling: 1 or 2 cable glands per side



**Wall mounting  
boxes**

Wall boxes can be used alone mounting accessories to PN, DS or DSN socket-outlets and inlets to form a wall mounting socket or a wall mounting appliance inlet. These solutions are described in the PN, DS and DSN pages.

### Other MARECHAL ELECTRIC boxes

ABS, aluminium or stainless steel ... The range also includes straight or inclined boxes with inspection windows which can combine socket-outlets or inlets and equipment such as earth leakage circuit-breakers or earth-leakage switches. (see page 129).



# Modular boxes

using **BM** parts

## Basic elements

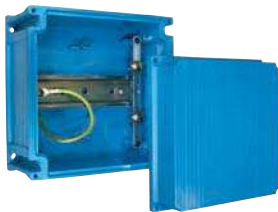


### Wall box

for...	Entries	Dimensions*	Earth terminal	Part no.
<b>PN</b> or <b>DSN1</b>	for 2 from M16 to M32 per side	127 x 127 x 172	Included	51 AA <b>058</b>
<b>DS1</b> or <b>DSN3</b>	for 2 from M16 to M32 per side	127 x 127 x 172	Included	51 BA <b>058</b>
<b>DS3</b> or <b>DSN6</b>	for 2 from M16 to M40 per side	170 x 170 x 201	Included	51 CA <b>058</b>
<b>DS6</b>	for 2 from M16 to M40 per side	170 x 170 x 201	Included	51 DA <b>058</b>

Boxes are not drilled (drilled at extra cost).

\* H x W x D



### Box for terminal blocks + flat lid

Dimensions*	Part no.
170x170x118	50 9A <b>CP2</b>

\* H x W x D



### Box with inspection window

Dimensions*	Part no.
170x170x118	50 9A <b>CF2</b>

\* H x W x D

Boxes for terminal blocks include a DIN rail and an earth terminal. The box accommodates a 130-mm wide terminal box and can be equipped with a domestic socket-outlet (part number 509AD40).

The box is designed for 1 to 6 module assemblies.

### Coupling units (batch of 2)

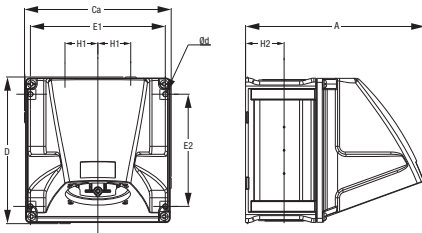
These coupling units are used to connect 2 boxes together (vertically).



Inside diameter	Part no.
26 mm	50 9A <b>ML1</b>

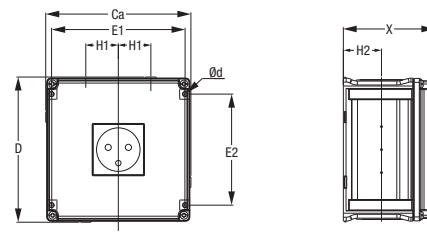
## Dimensions

### Wall box



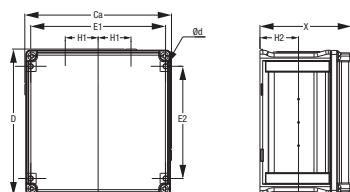
	Ca	D	E1	E2	Ød	H2	A
PN/DSN1	127	127	116	96	6,5	39	173
DS1/DSN3	127	127	116	96	6,5	39	173
DS3/DSN6	170	170	158	139	6,5	39	201
DS6	170	170	158	139	6,5	39	201

### Box equipped with a domestic socket-outlet



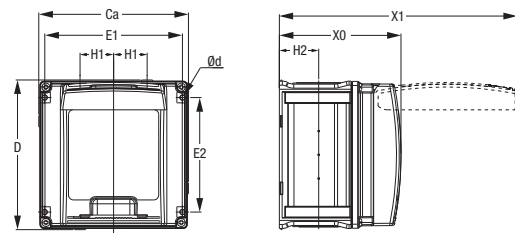
	Ca	D	E1	E2	Ød	H2	X
Part no. 50 9A CP2	170	170	158	139	6,5	39	118

### Box for terminal blocks + flat lid



	Ca	D	E1	E2	Ød	H2	X
Part no. 50 9A CP2	170	170	158	139	6,5	39	118

### Box with inspection window



	Ca	D	E1	E2	Ød	H2	X0	X1
Part no. 50 9A CF2	170	170	158	139	6,5	39	118	270

# Modular boxes

using **BM** parts

## Boxes fitted with socket-outlets and plugs



**Coupling units between two boxes**

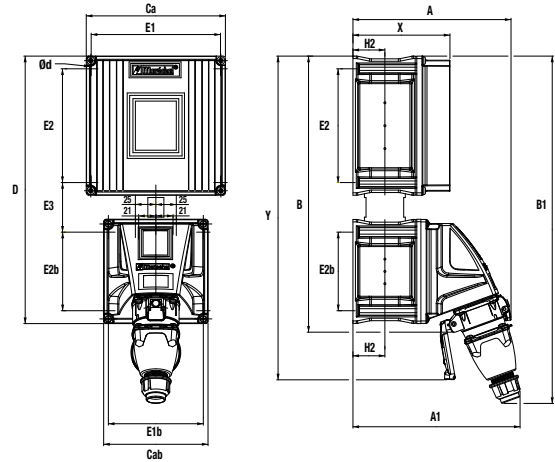
**These boxes are available with other circuit-breakers, fuses, decontactors and plug and sockets. Please contact us to communicate your needs.**

**To order plugs associated to the sockets mounted on the boxes, please see pages related to DSN1, DSN3, DSN6, DS1, DS3 and PN.**

### Inclined box - 1 socket-outlet

Inclined box made of thermoplastic material (IP66/67 - IK 08), with a flat lid, including:

- A MARECHAL socket from 16 to 63 A, polarities from 2P to 3P+N+E, voltages from 24 V to 690 V: PN / DSN1 (16 A) - DS1 (30 A) - DSN3 (32 A) - DS3 (50 A) - DSN6 (63 A)
- The box is not drilled (drilled at extra cost).
- Entries from M16 to M40.
- Earth-leakage circuit breaker protection as standard. Other types of protection (earth-leakage switch, fuses etc) available on request.

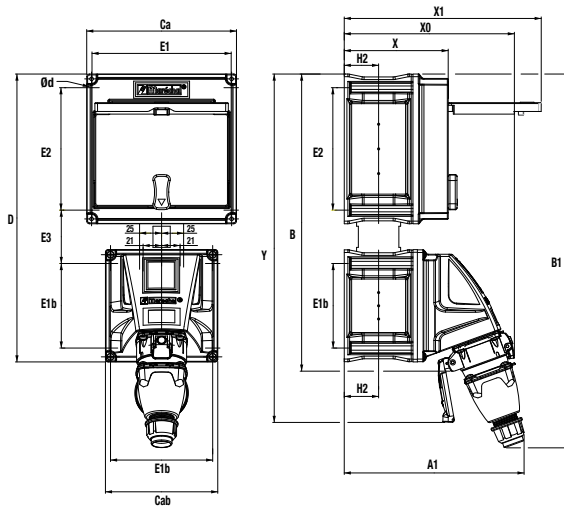


	A	A1	B	B1	Ca	Cab	D	E1	E1b	E2	E2b	E3	Ød	H2	X	Y
PN	180	182	335	403	170	127	327	158	96	139	96	61	6,5	39	118	386
DSN1	197	204	363	435	170	127	327	158	96	139	96	61	6,5	39	118	415
DS1	205	193	375	468	170	127	327	158	96	139	96	61	6,5	39	118	439
DSN3	211	217	382	463	170	127	327	158	96	139	96	61	6,5	39	118	442
DS3	231	245	419	513	170	170	370	158	139	139	139	61	6,5	39	118	485
DSN6	236	245	425	531	170	170	370	158	139	139	139	61	6,5	39	118	495

### Inclined box with an inspection window - 1 socket-outlet

Inclined box made of thermoplastic material (IP66/67 - IK 08), with an inspection window, including:

- A MARECHAL socket from 16 to 63 A, polarities from 2P to 3P+N+E, voltages from 24 V to 690 V: PN / DSN1 (16 A) - DS1 (30 A) - DSN3 (32 A) - DS3 (50 A) - DSN6 (63 A)
- The box is not drilled (drilled at extra cost).
- Entries from M16 to M40.
- Earth-leakage circuit breaker protection as standard. Other types of protection (earth-leakage switch, fuses etc) available on request.



	A	A1	B	B1	Ca	Cab	D	E1	E1b	E2	E2b	E3	Ød	H2	X	X0	X1	Y
PN	180	182	335	403	170	127	327	158	96	139	96	61	6,5	39	118	118	224	386
DSN1	197	204	363	435	170	127	327	158	96	139	96	61	6,5	39	118	118	224	415
DS1	205	193	375	468	170	127	327	158	96	139	96	61	6,5	39	118	118	224	439
DSN3	211	217	382	463	170	127	327	158	96	139	96	61	6,5	39	118	118	224	442
DS3	231	245	419	513	170	170	370	158	139	139	139	61	6,5	39	118	118	224	485
DSN6	236	245	425	531	170	170	370	158	139	139	139	61	6,5	39	118	118	224	495