

PURPOSE

Explosion proof fluorescent lighting fitting type SIF 236 / SIF 436.. is intended for use in industry areas:

- in areas endangered by flammable and explosive mixtures of gases and air, fumes of flammable liquids and air, or various combinations between the two, in danger zones 1,2 in ordinance with standards IEC 60079-10,
- in areas endangered by explosive and flammable mixtures of dust and air in danger zones 21, 22 in ordinance with standards EN 61241-10.

TYPE OF PROTECTION

Apparatus category and marking of explosion-protection:

- II 2G Ex ed IIC T4

- II 2D Ex tD A21 T80°C IP66

Environment temperature: $-20^{\circ}\text{C} \leq T_a \leq +50^{\circ}\text{C}$

Degree of protection (IP Code): IP 66 in accordance with EN 60529+A1, category 1

Resistance to shock: IK 08 in accordance with EN 50102

Insulation class : I (protective earthing) in accordance with EN 61140

Electromagnetic compatibility: in accordance with the Directive 89/336 EEC: in accordance

EN 60598-1:2004/A1:2006, EN 55015:2006, EN 55022:2006/A1:2007, EN 61000-3-2:2006, EN 61547:1995/A1:2000, EN 60929:2006

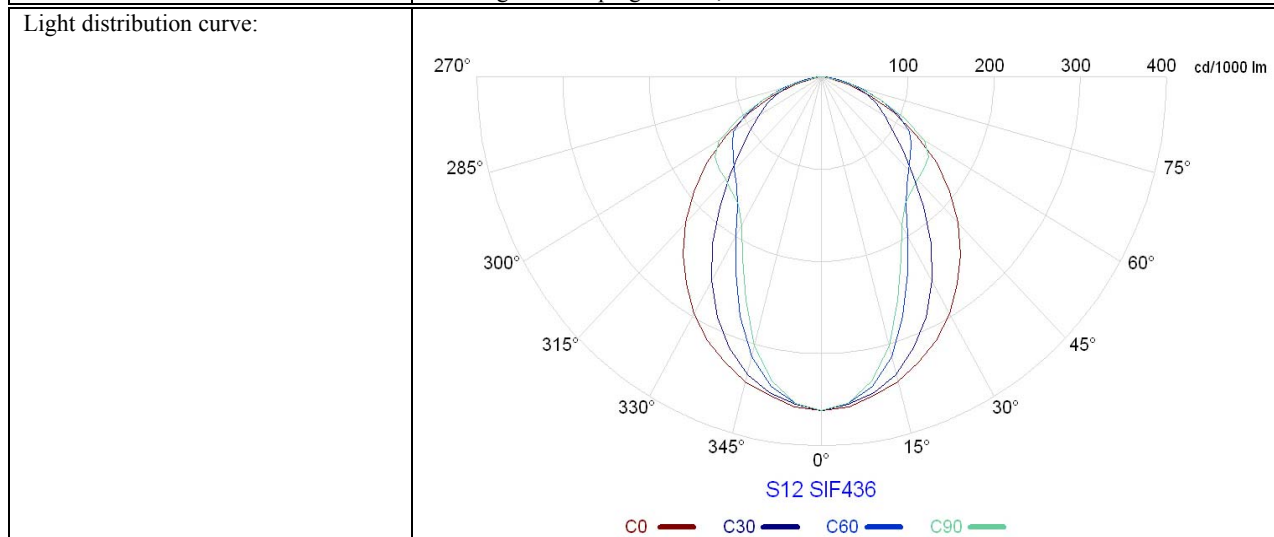
MODEL CODE

Model code	Type and no. of light source	Luminous flux (lm)	Weight
SIF 236	2 x Two-pin fluorescent lamps T8 ϕ 26 36W	2x3350 lm	26 kg
SIF 436	4 x Two-pin fluorescent lamps T8 ϕ 26 36W	4x3350 lm	28 kg

TECHNICAL DATA

All-pole disconnection via NC switch in positive opening operation when glass cover is opened

Rated voltage:	-230/250 V ($\pm 10\%$), 50 Hz
Rated power:	- SIF 236, 2 x 36 W T8/G13 - SIF 436, 4 x 36 W T8/G13
Power factor:	$\lambda=0,95$
Light source:	Two-pin fluorescent lamp T8 - ϕ 26mm
Lampholder:	G13 (IEC 7004-51)
Cable entries:	- four entries M25, in accordance EN 60079-1, ISO 965-1, ISO 965-3, With two Ex e plugs M25 and two Ex e cable glands M25
Ballast	Electronic ballast Ex de EEI=AA2
Connection terminals:	-terminal L1+L2+L3+ N + PE; max $3 \times 4 \text{ mm}^2$, solid, stranded -external PE-terminal, max $2 \times 6 \text{ mm}^2$
Clamp for external earthing PA/PE	- $2 \times 6 \text{ mm}^2$ max. - solid, stranded
Housing:	Powder-coated sheet-steel
Glass:	Borosilicate glass
Tightening torque:	- glass holder screw M6x30 (Z4) 2,0 Nm - cable gland and plug M25 2,5 Nm



MOUNTING

The respective national regulations as well as the general rules of engineering which apply to the installation and operation of explosion protected apparatus, will have to be observed.

The lighting fitting is delivered with two screws M8 DIN 580 for hanging .

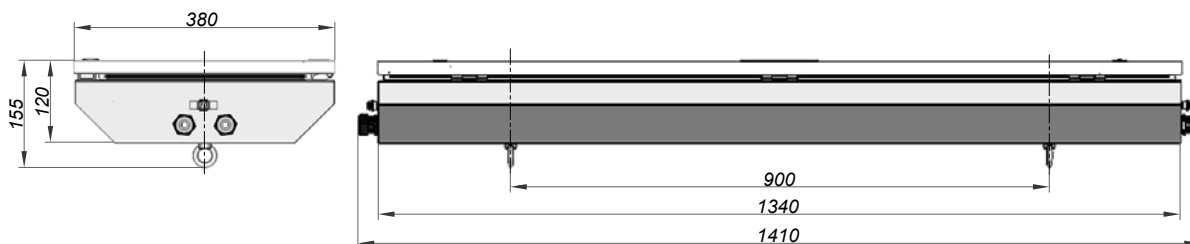
For special order producer will delivery:

- Accessories for ceiling mounting
- Accessories for tube or pole mounting $\varnothing 38 - \varnothing 48$ mm
- Accessories for wall mounting

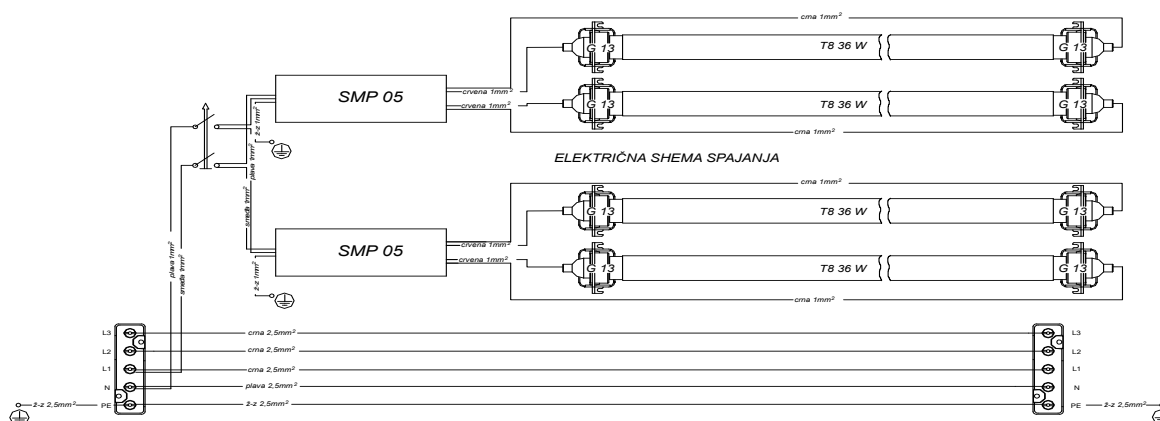
Always look on the maximum number of lights on one switch, automatic installation:

Installation automatic switch:	1p B 10A	1p C 10A	1p B 16A	1p C 16A
Max. No. of lamps	SIF 236 – 10 SIF 436 - 5	SIF 236 - 16 SIF 436 - 8	SIF 236 - 16 SIF 436 - 8	SIF 236 - 28 SIF 436 - 14

DIMENSION



WIRING DIAGRAM – SIF 436



CONTROL, MAINTENANCE AND REPAIR

It is necessary to conduct review and maintenance on all parts on which the explosion proof protection depends in accordance to standards EN 60079-17, general and individual demands of the manufacturer and the regulations of the user. The repair of the lamp is done by the manufacturer or a person legally authorized by the manufacturer, with original parts from the products documentation, and in accordance to the EN 60079-19 standards. If the repair is done by a third person, the manufacturer is free of all responsibility from the product, and the declaration of conformity which is given by the manufacturer becomes insignificant.

RESPONSIBILITY AND AUTHORIZATION

Responsibility and authorization are defined by the "Regulation on technical supervision over the electrical stations, installations and equipment intended for usage in potentially explosive atmospheres". This Manual represents the most relevant information about the product. Adequate national laws and regulations supplement it. The person in charge is required to secure its employment in the industrial unit. Every improper usage, as well as every unofficial restructuring, repair or restoration of the product, release the manufacturer of all responsibilities.

STORAGE AND TRANSPORT

Transport and storage is only allowed in the original packaging, on the way pointed out on the carton box.