

LED

IP 66



IK08



ATEX

- Central locking with internal switch
- Through-wiring possible
- LED modules with innovative encapsulation
- Estimated service life up to 70 000 hours
- High color rendering index CRI 80
- With OVP, OCP, OTP protection
- Autonomous reactivation after recovery
- Color temperature: 4000K

# SIF LED-E



## CONSTRUCTION

Housing: Epoxy/polyester powder-coated sheet steel  
 Diffuser: flat borosilicate glass with a high thermal and mechanical stability  
 Gasket: EPDM formed gasket  
 All-pole are disconnected via NC switch when glass cover is opened.  
 The light fitting is normally supplied without light sources, two Ex e cable glands M25, one Ex e plug M25 and with two ring screw M8 (pendant version).

## TECHNICAL DATA

<b>Certificate:</b>	FIDI 19 ATEX 0029
<b>Marking:</b>	CE 0722
<b>Apparatus category:</b>	II 2G II 2D
<b>Marking of explosion protection:</b>	Ex db eb mb op is IIC T4 Gb Ex tb op is IIIC T80°C Db
<b>Ambient temperature:</b>	-20°C ≤ T <sub>a</sub> ≤ +40°C
<b>Degree of protection:</b>	IP 66 category 1
<b>Resistance to shock:</b>	IK 08
<b>Protection class :</b>	I (protective earthing)
<b>Operating voltage:</b>	220-240V
<b>Frequency:</b>	50/60 Hz
<b>Rated power:</b>	See model code table
<b>Estimated service life:</b>	T <sub>a</sub> ≤ +20°C > 130 000h T <sub>a</sub> ≤ +30°C > 100 000h T <sub>a</sub> ≤ +40°C > 50 000h
<b>Connecting terminals:</b>	L1, L2, L3, N, PE - max. 2,5 mm <sup>2</sup>
<b>Cable entry:</b>	Two entries Ex e M25x1,5 for cable diameters Ø6-15 mm, and two Ex e plugs
<b>Battery:</b>	NiCd, 4,8V/4Ah
<b>Nominal autonomy:</b>	1,5h or 3h
<b>Packing:</b>	The packing contains: 1 pcs PSF 52 LED: 1420x270x210 mm PSF 28 LED: 825x270x210 mm

## MOUNTING

Pendant, wall, ceiling, recessed

*Liner LED without and with LED diffuser*

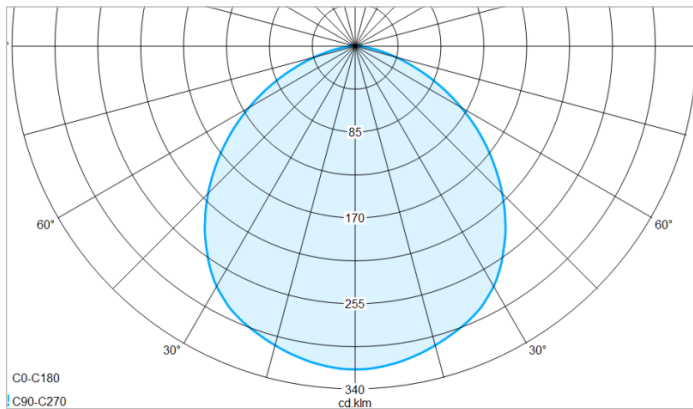


# Emergency LED light fitting

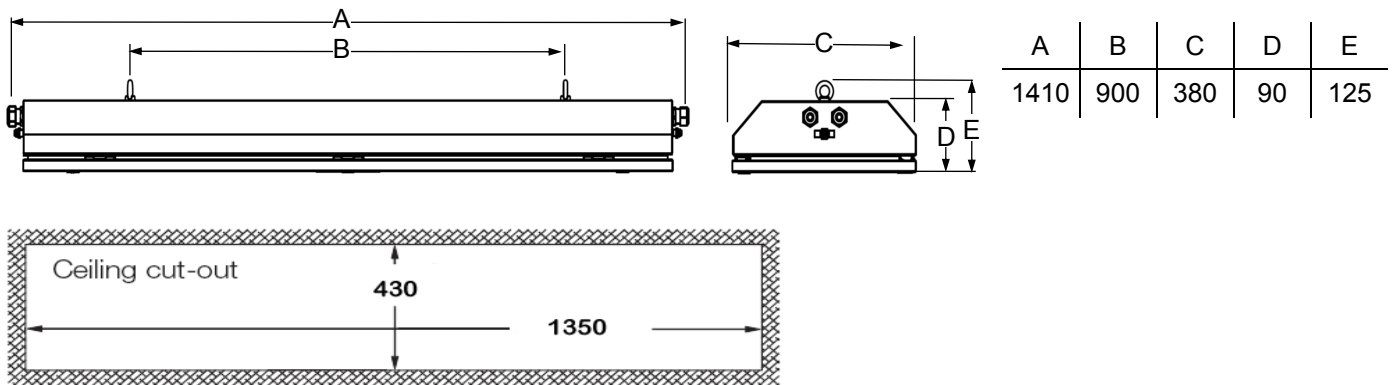
## MODEL CODE

MODEL CODE	Power consumption [W]	Voltage [V]	Light fitting Luminous flux [lm]	System efficacy [lm/W]	3h autonomy Lum flux [lm]	WEIGHT
SIF 52 LED1-E	56 W	220-230VAC	7110 lm	136	1150 lm	22 kg
SIF 52 LED2-E	108 W		14 220 lm		1150 lm	26 kg

## POLAR CURVE



## DIMENSION DRAWING (mm)



## SPARE PARTS AND ACCESSORIES

SKETCH	DESCRIPTION	CODE	SKETCH	DESCRIPTION	CODE
	Glass cover SIF	SIF 10-140		Wall mounting set 45°	SIF 320-140
	Gasket PSIF	SIF 10-130		Recessed mounting set	SIF 20-150
	Internal reflector with LED module	SIF LED 52 20-140		Ring bolt M8	PSF 30-140
	LED EM driver	DRIVEx 02		Battery module	BATEx 02
	LED difuzor	SIF LED 30-180			

All technical data is relevant at the time of print.